



# Quick Reference Valve Spare Part Guide

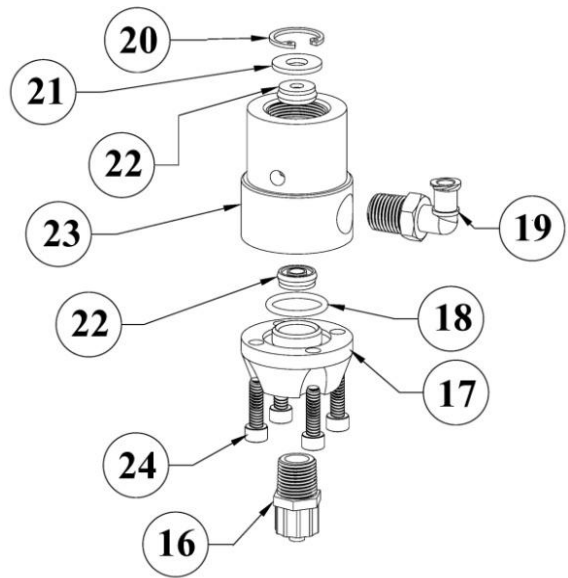
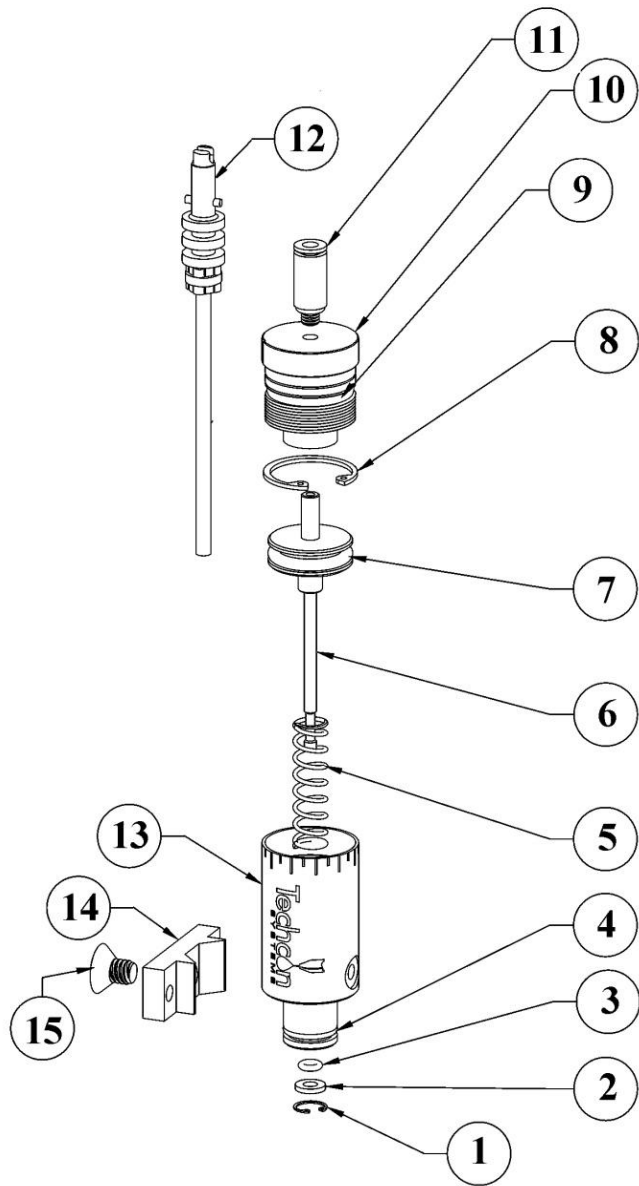
For Sales and Support:

Techcon Systems Corporate Headquarters,  
12151 Monarch Street, Garden Grove, California, 92841, USA.  
Tel: 1-714-230-2398, Fax: 1-714-230-2393  
E-mail: [oemorders@okinternational.com](mailto:oemorders@okinternational.com)

Or visit [www.techconsystems.com](http://www.techconsystems.com)

Techcon Systems European Corporate Office,  
Eagle Close, Chandler's Ford Industrial Estate,  
Eastleigh, Hampshire, SO53 4NF, UK.  
Tel: +44 2380 489 100, Fax: +44 2380 489 109  
E-mail: [europa-orders@okinternational.com](mailto:europa-orders@okinternational.com)

# TS5322 Series Mini Spool Valve



**Seal Repair Kit = 5322-SEALKIT**

Includes 1 x 3, 4, 7, 9, 18 and 2 x 22

**Valve Repair Kit = 5322-VALVEKIT**

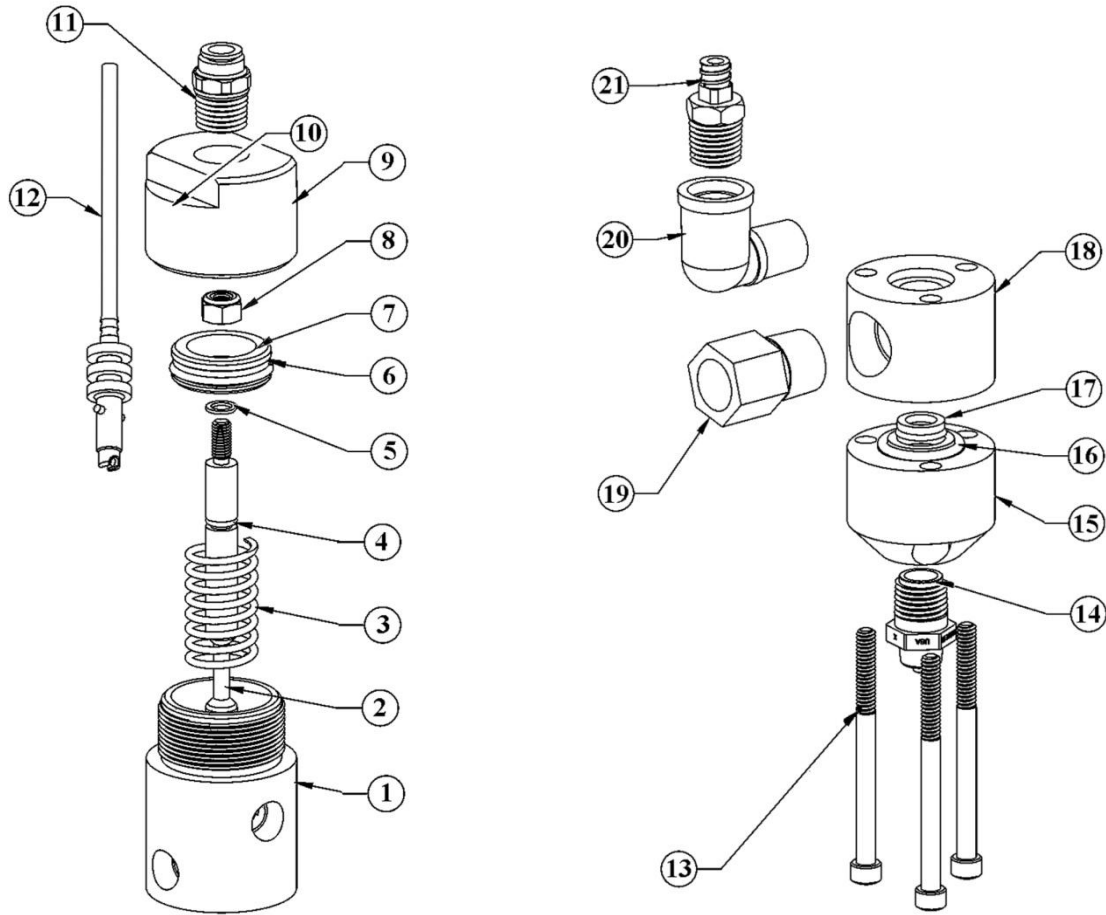
Includes 1 x 1, 2, 3, 4, 6, 7, 8, 9, 15, 16, 18, 19, 20, 21, 2 x 22, and 4 x 24

**U-Seal Insertion Tool = 5322-SIT**

**Lubrication:** All O-Rings & seals must be lubricated with Bimba HT-99, or equivalent, with the exception of TSD400-71, which must remain dry.

Item	Part Number	Description	Item	Part Number	Description
1	TSD1120-2	Retaining Ring, Small	14	918-000-048	Mounting Bracket
2	TSD1109-45	Nylon Washer	15	2800-0634	Mounting Screw
3	TSD1400-006A	O-Ring, Buna	16	TSD931-57	Luer Lock Adaptor
4	TSD1400-013A	O-Ring, Buna	17	5320-000-001	Outlet Block – TS5322
5	TSD1150-5	Spring	17*	5320D-000-001	Outlet Block – TS5322D
6	5322-000-001	Spool/Piston Assy.	18	TSD1400-014A	O-Ring, Buna
7	TSD1400-208A	Piston O-Ring, Buna	19	TSD931-75	Luer Lock Adaptor, Elbow
8	TSD1120-15	Retaining Ring, Large	20	TSD1120-6	Retaining Ring, Medium
9	TSD1400-17A	End Cap O-Ring, Buna	21	TSD1109-52	Flat Washer
10	5520-000-007	End Cap	22	TSD400-71	U-Cup Seal
11	TSD1002-37	Air Fitting, 4mm	23	5320-000-002	Body – TS5322
12	A0100478	Air hose/Connector Assy.	23*	5320D-000-002	Body – TS5322D
13	5520-000-001	Air Cylinder	24	TSD1103-349	Outlet Screw

## TS934 Series High Pressure Pool Valve



### Seal Repair Kit = 941-SEALKIT

Includes 1 x 4, 5, 6, 10, 2 x 16 and 2 x 17

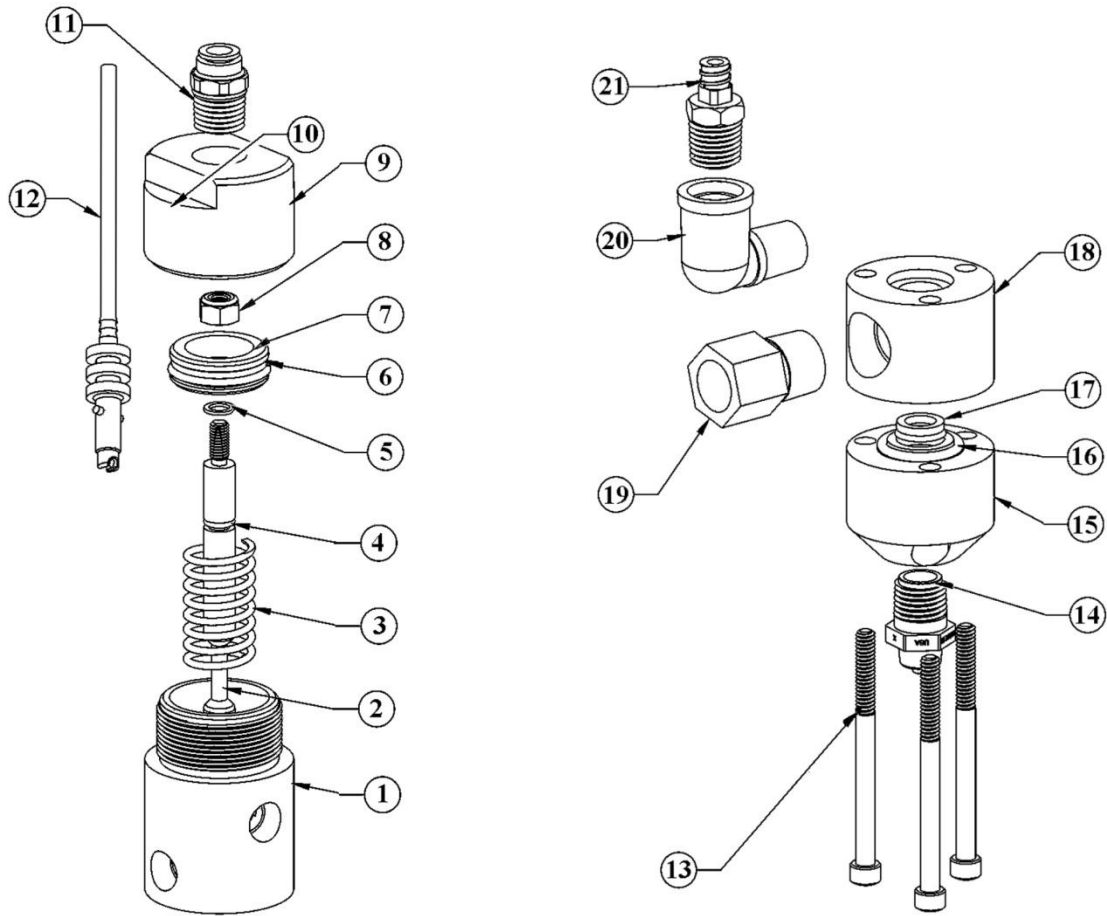
### Valve Repair Kit = 941-VALVEKIT

Includes 1 x 2, 4, 5, 6, 10, 2 x 16 and 2 x 17

**Lubrication:** All O-Rings & seals must be lubricated with Parker-O-Lube, or equivalent, with the exception of the two TSD400-69 seals, which must remain dry. Only item 4 requires Bimba HT-99, or equivalent.

Item	Part Number	Description	Item	Part Number	Description
1	934-000-001	Cylinder For TS934	12	A0100268	Air Hose & Connector Assembly
1*	934A-000-001	Cylinder For TS934A	13	TSD1103-323	Valve Assembly Screw
2	934-000-005	Spool Shaft	14	TSD931-7	Tip Adaptor ¼" NPT
3	934-000-006	Spring	15	934-000-003	Outlet Block (Al) For TS934
4	TSD1400-008B	Spool Shaft O-Ring, Viton	15*	934A-000-003	Outlet Block (Al) For TS934A
5	TSD1145-1	Fiber Washer	16	TSD1400-115C	Chamber O-Ring, EPR
6	TSD1399-2	Piston U-Cup Seal	17	TSD400-69	U-Cup Seal
7	934-000-004	Piston	18	934-000-002	Material Inlet Block (Al) For TS934
8	TSD1116-4	Lock Nut	18*	934A-000-002	Material Inlet Block (Al) For TS934A
9	927-000-007	End Cap	19	TSD912-15	Reducer, ¾" NPT X ¼" NPT
10	TSD1400-025A	Cap O-Ring, Buna	20	TSD918-3	Elbow, ¼-18 NPT X ¼-18 NPT
11	TSD1002-26	Air Fitting, ¼" Tube X ¼" NPT	21	TSD931-15	¼" NPT X Female Luer Lock Fitting

## TS941 Series High Pressure Spool Valve



### Seal Repair Kit = 941-SEALKIT

Includes 1 x 4, 5, 6, 10, 2 x 16 and 2 x 17

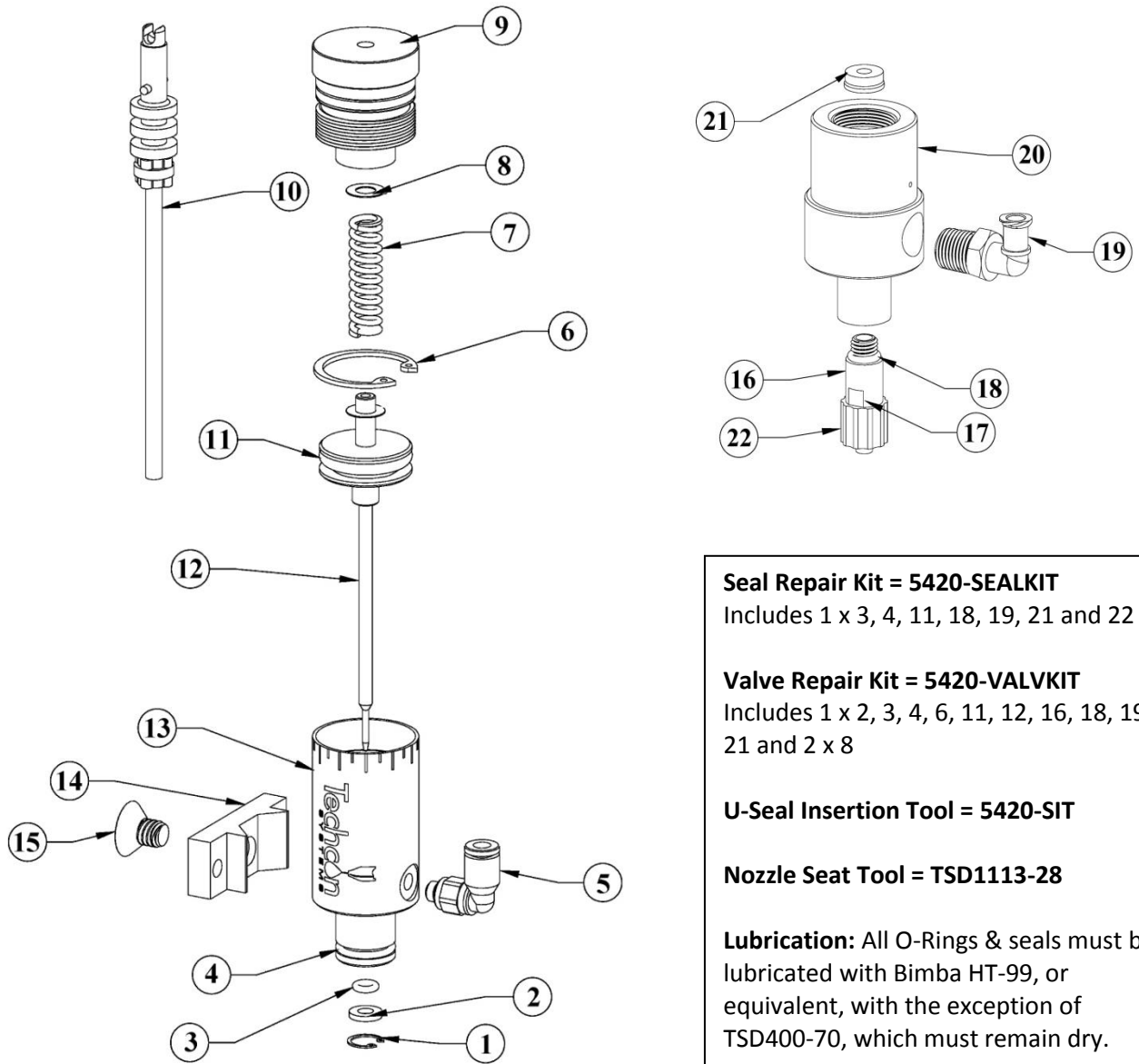
### Valve Repair Kit = 941-VALVEKIT

Includes 1 x 2, 4, 5, 6, 10, 2 x 16 and 2 x 17

**Lubrication:** All O-Rings & seals must be lubricated with Parker-O-Lube, or equivalent, with the exception of the two TSD400-69 seals, which must remain dry. Only item 4 requires Bimba HT-99, or equivalent.

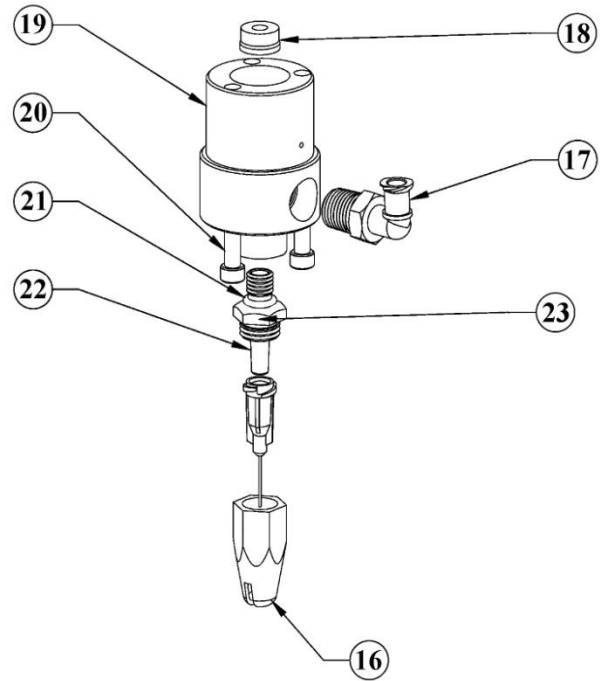
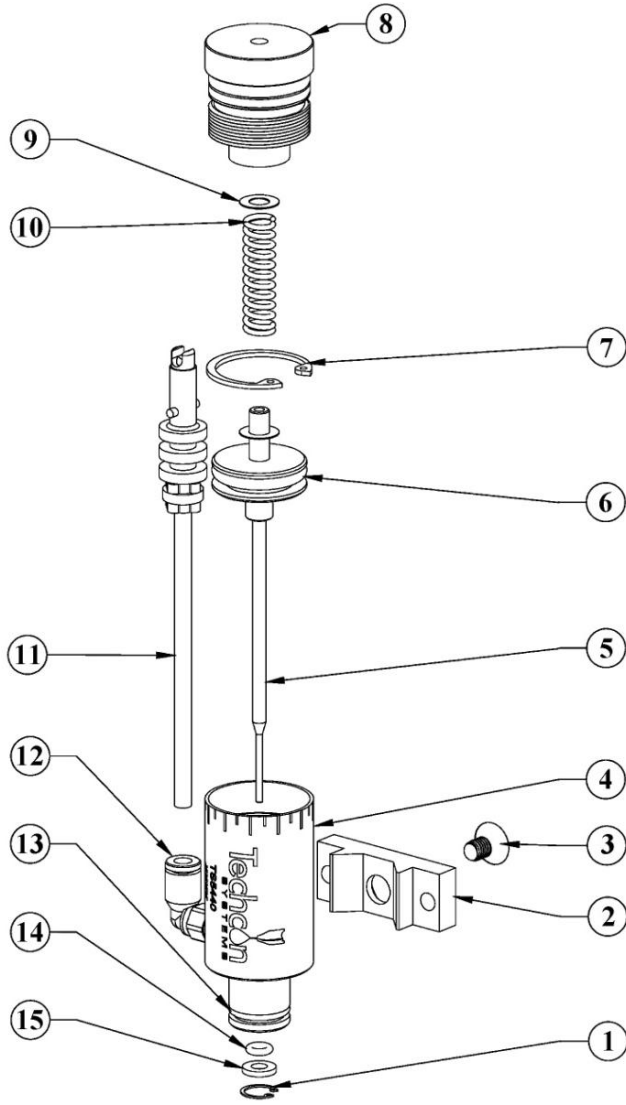
Item	Part Number	Description	Item	Part Number	Description
1	934-000-001	Cylinder For TS941	12	A0100268	Air Hose & Connector Assembly
1*	934A-000-001	Cylinder For TS941A	13	TSD1103-323	Valve Assembly Screw
2	934-000-005	Spool Shaft	14	TSD931-7	Tip Adaptor ¼" NPT
3	934-000-006	Spring	15	941-000-002	Outlet Block (SS) For TS941
4	TSD1400-008B	Spool Shaft O-Ring, Viton	15*	941A-000-002	Outlet Block (SS) For TS941A
5	TSD1145-1	Fiber Washer	16	TSD1400-115C	Chamber O-Ring, EPR
6	TSD1399-2	Piston U-Cup Seal	17	TSD400-69	U-Cup Seal
7	934-000-004	Piston	18	941-000-001	Material Inlet Block (SS) For TS941
8	TSD1116-4	Lock Nut	18*	941A-000-001	Material Inlet Block (SS) For TS941A
9	927-000-007	End Cap	19	TSD912-15	Reducer, ¾" NPT X ¼" NPT
10	TSD1400-025A	Cap O-Ring, Buna	20	TSD918-3	Elbow, ¼-18 NPT X ¼-18 NPT
11	TSD1002-26	Air Fitting, ¼" Tube X ¼" NPT	21	TSD931-15	¼" NPT X Female Luer Lock Fitting

## TS5420 Series Needle Valve



Item	Part Number	Description	Item	Part Number	Description
1	TSD1120-2	Retaining Ring, Small	13	5520-000-001	Air Cylinder, For TS5420
2	TSD1109-45	Nylon Washer	13*	T1000600	Air Cylinder, For TS5420SS
3	TD1400-006A	O-Ring, Buna	14	918-000-048	Mounting Bracket
4	TSD1400-013A	O-Ring, Buna	15	2800-0634	Mounting Screw
5	TSD1003-20	Air Fitting, 4mm, Elbow	16	5420-000-007	Luer Adaptor, Inc. Collar/Seat
6	TSD1120-15	Retaining Ring, Large	17	T1000598	Nozzle Seat
7	TSD1150-34	Spring	18	TSD1400-008A	Luer Adaptor O-Ring, Buna
8	TSD1109-43	Mylar Washer	19	TSD931-75	Luer Lock Adaptor, Elbow
9	5520-000-007	End Cap, For TS5420	20	5420-000-002	Body, For TS5420
9*	T1000599	End Cap, For TS5420SS	20*	5420-000-008	Body, For TS5420SS
10	A0100478	Air Hose/Connector Assembly, 4mm	21	TSD400-70	U-Cup Seal
11	TSD1400-208A	Piston O-Ring, Buna	22	TSD931-44	Luer Collar
12	5520-000-010	Needle/Piston Assembly			

# TS5440 Series Micro Shot Needle Valve



**Seal Repair Kit = 5440-SEALKIT**

Includes 1 x 6, 13, 14, 15, 17, 18, 21 and 2 x 9

**Valve Repair Kit = 5440-VALVEKIT**

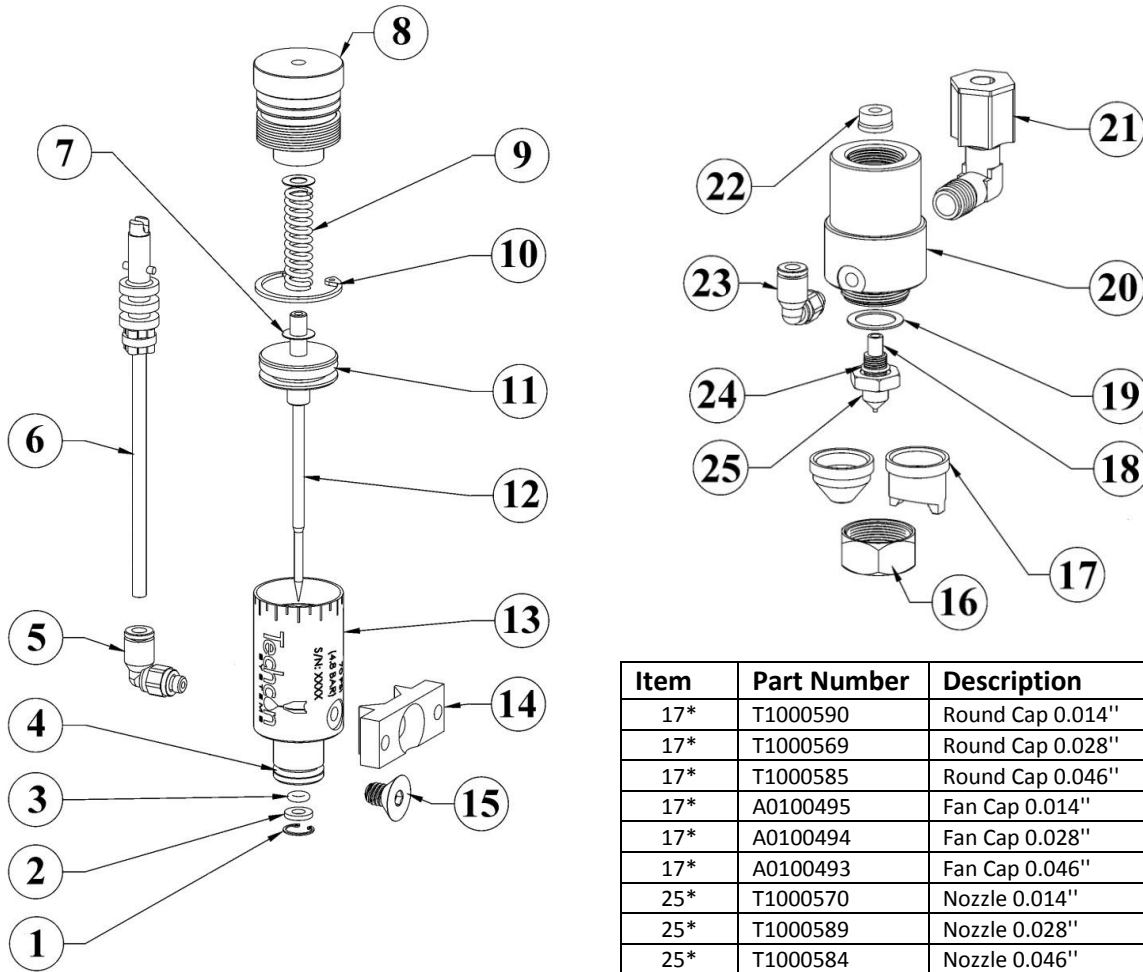
Includes 1 x 1, 5, 6, 7, 13, 14, 15, 17, 18, 21, 22, 2 x 9 and 3 x 20

**U-Seal Insertion Tool = 5540-SIT**

**Lubrication:** All O-Rings & seals must be lubricated with Bimba HT-99, or equivalent, with the exception of TSD400-86, which must remain dry.

Item	Part Number	Description	Item	Part Number	Description
1	TSD1120-2	Retaining Ring, Small	12	TSD1003-20	Air Fitting, 4mm, Elbow
2	918-000-048	Mounting Bracket	13	TSD1400-013A	O-Ring, Buna
3	TSD1106-41	Mounting Screw	14	TSD1400-006A	O-Ring, Buna
4	5440-000-008	Air Cylinder, For TS5440	15	TSD1109-45	Nylon Washer
4*	5440-000-008SS	Air Cylinder, For TS5440-SS	16	5440-000-004	Tip Cap, Full Block
5	5440-000-007S	Needle/Piston Assembly	17	TSD931-75	Luer Lock Adaptor, Elbow
6	TSD1400-208A	Piston O-Ring, Buna	18	TSD400-86	U-Cup Seal
7	TSD1120-15	Retaining Ring, Large	19	5440-000-001	Valve Body (SS)
8	5520-000-007	End Cap	20	TSD1103-398	Body Screw
9	TSD1109-43	Mylar Washer	21	TSD1400-008A	O-Ring, Buna
10	TSD1150-52	Spring	22	5440-000-005	Luer Taper Adaptor
11	A0100478	Air Hose/Connector Assy, 4mm	23	5440-000-006	Luer Adaptor Teflon® Seat

# TS5540 Series Spray Valve



Item	Part Number	Description
17*	T1000590	Round Cap 0.014"
17*	T1000569	Round Cap 0.028"
17*	T1000585	Round Cap 0.046"
17*	A0100495	Fan Cap 0.014"
17*	A0100494	Fan Cap 0.028"
17*	A0100493	Fan Cap 0.046"
25*	T1000570	Nozzle 0.014"
25*	T1000589	Nozzle 0.028"
25*	T1000584	Nozzle 0.046"

**O-Ring Kit = 5540-ORINGKIT**

Includes 1 x 3, 4, 11 and 24

**Retaining Ring Kit = 5540-SRKIT**

Includes 1 x 1, 2, 2 x 7 and 10

**U-Seal Insertion Tool = 5540-SIT**

**Nozzle and Cap Kits**

RNC014 (includes T1000570, T1000590, T1000598 and TSD1400-495B)

RNC028 (includes T1000589, T1000569, T1000598 and TSD1400-495B)

RNC046 (includes T1000584, T1000585, T1000598 and TSD1400-495B)

FNC014 (includes T1000570, A0100495, T1000598 and TSD1400-495B)

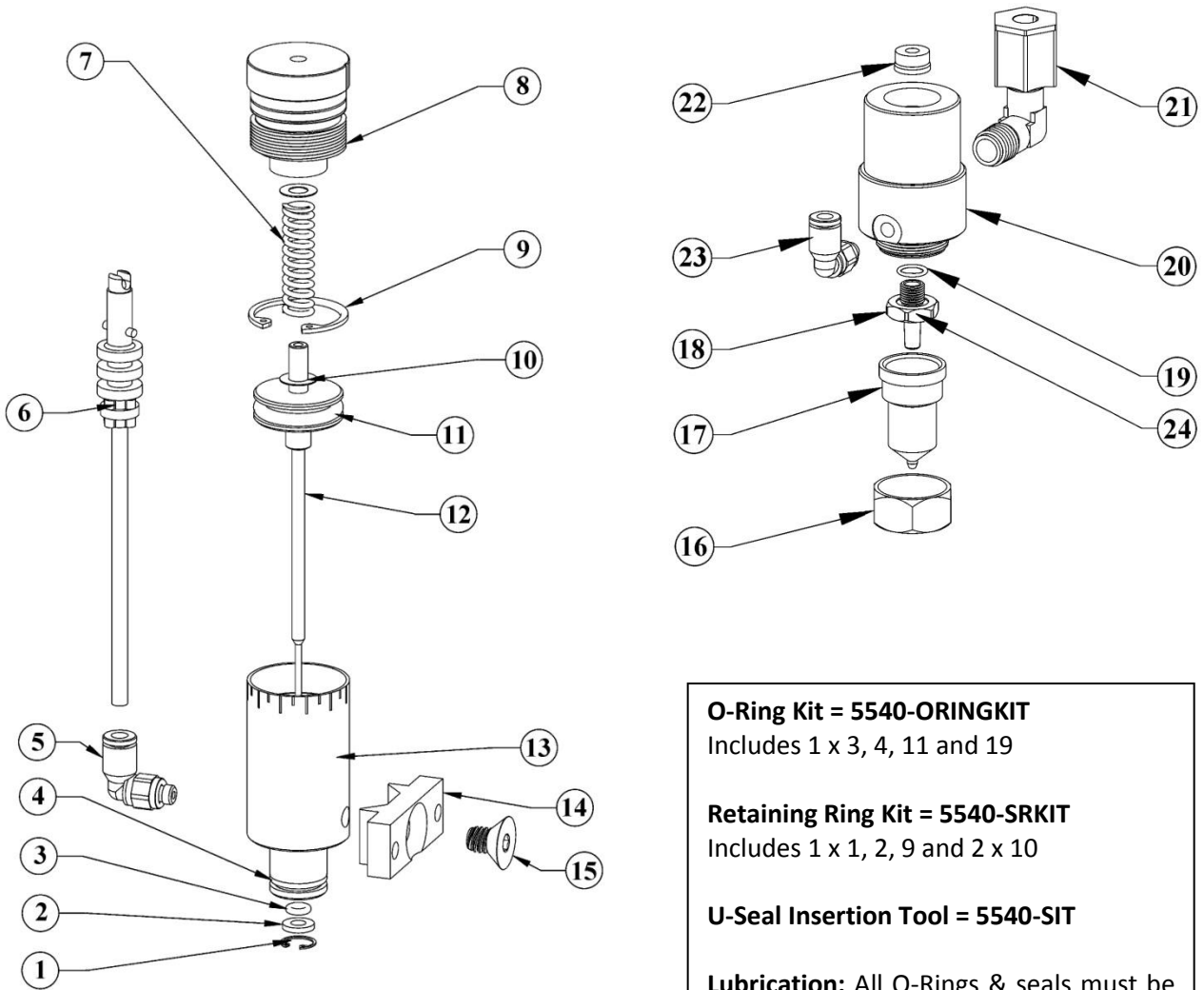
FNC028 (includes T1000589, A0100494, T1000598 and TSD1400-495B)

FNC046 (includes T1000584, A0100493, T1000598 and TSD1400-495B)

**Lubrication:** All O-Rings & seals must be lubricated with Bimba HT-99, or equivalent, with the exception of TSD400-85 and TSD1400-495B, which must remain dry. No lubrication required for nozzle seat/seal either.

Item	Part Number	Description	Item	Part Number	Description
1	TSD1120-2	Retaining Ring, Small	14	918-000-048	Mounting Bracket
2	TSD1109-45	Nylon Washer	15	2800-0634	Mounting Screw
3	TSD1400-006A	O-Ring, Buna	16	T1000583	Locking Ring
4	TSD1400-013B	O-Ring, Viton®	17	SEE CHART	Air Cap
5	TSD1003-20	Air Fitting, 4mm, Elbow	18	T1000598	Nozzle Seat
6	A0100478	Air Hose/Connector Assy, 4mm	19	T1000574	Diffuser Washer
7	TSD1109-43	Mylar Washer	20	T1000579	Body
8	T1000599	End Cap	21	TSD1003-16	Compression Fitting
9	TSD1150-34	Spring	22	TSD400-85	U-Cup Seal
10	TSD1120-15	Retaining Ring, Large	23	TSD1003-20	Air Fitting, 4mm, Elbow
11	TSD1400-208A	Piston O-Ring, Buna	24	TSD1400-495B	O-Ring, Viton®
12	A0100487	Needle/Piston Assembly	25	SEE CHART	Nozzle
13	T1000600	Air cylinder		TSD1113-28	Seat Removal Tool – NOT SHOWN

# TS5540-MS Spray Valve



**O-Ring Kit = 5540-ORINGKIT**

Includes 1 x 3, 4, 11 and 19

**Retaining Ring Kit = 5540-SRKIT**

Includes 1 x 1, 2, 9 and 2 x 10

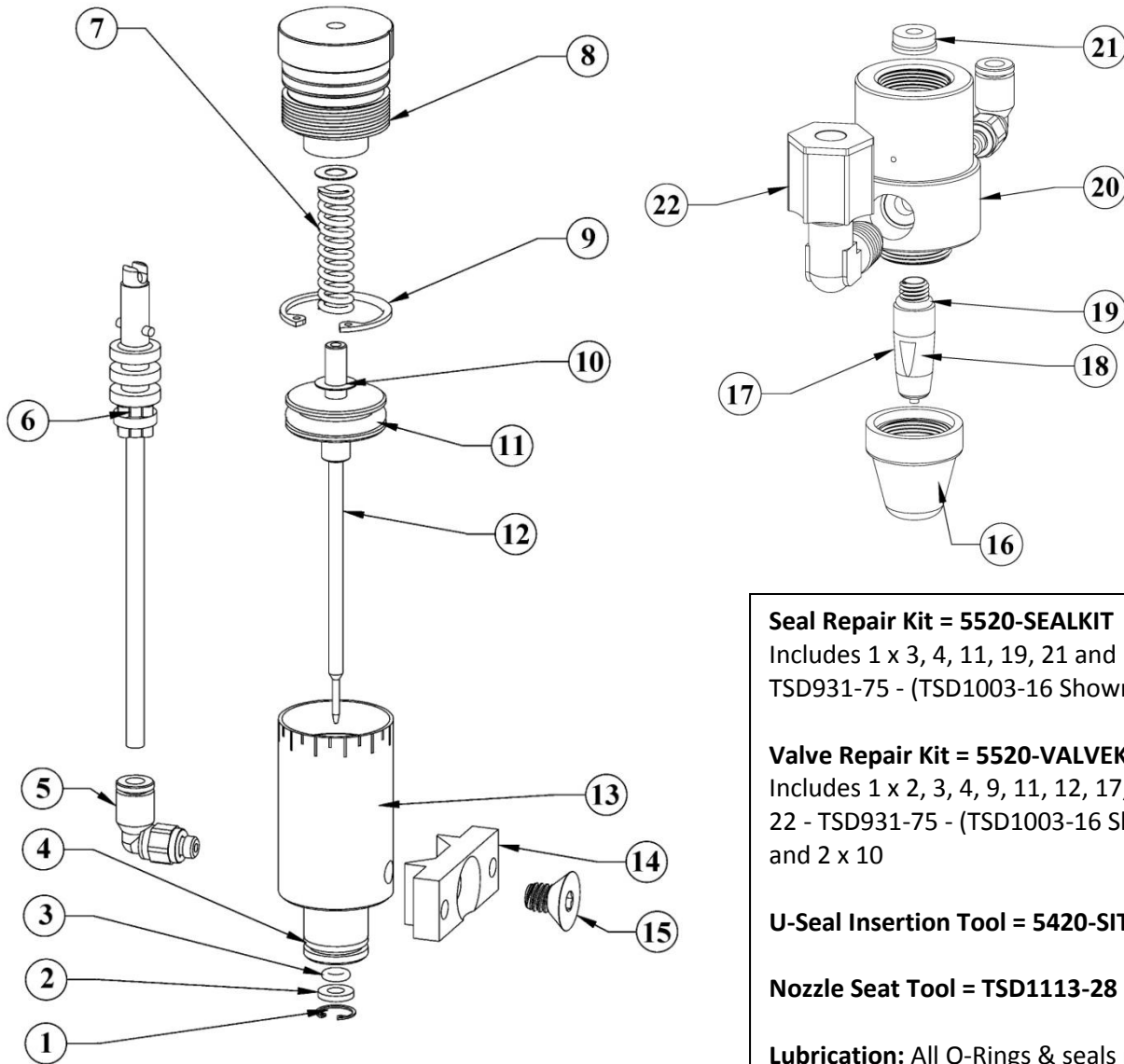
**U-Seal Insertion Tool = 5540-SIT**

**Lubrication:** All O-Rings & seals must be lubricated with Bimba HT-99, or equivalent, with the exception of TSD400-85, which must remain dry. No lubrication required for nozzle seat/seal either.

Item	Part Number	Description	Item	Part Number	Description
1	TSD1120-2	Retaining Ring, Small	13	T1000600	Air cylinder
2	TSD1109-45	Nylon Washer	14	918-000-048	Mounting Bracket
3	TSD1400-006A	O-Ring, Buna	15	2800-0634	Mounting Screw
4	TSD1400-013B	O-Ring, Viton®	16	T1000583	Locking Ring
5	TSD1003-20	Air Fitting, 4mm, Elbow	17	7509-0010	Air Cap
6	A0100478	Air Hose/Connector Assy, 4mm	18	7509-9010	Luer Nozzle
7	TSD1150-34	Spring	19	TSD1400-495B	O-Ring, Viton®
8	T1000599	End Cap	20	T1000579	Body
9	TSD1120-15	Retaining Ring, Large	21	TSD1003-16	Compression Fitting
10	TSD1109-43	Mylar Washer	22	TSD400-85	U-Cup Seal
11	TSD1400-208A	Piston O-Ring, Buna	23	TSD1003-20	Air Fitting, 4mm, Elbow
12	7509-9000	Needle/Piston Assembly	24	5440-000-006	Luer Adaptor Teflon® Seat



# TS5520 Series Spray Valve



**Seal Repair Kit = 5520-SEALKIT**  
Includes 1 x 3, 4, 11, 19, 21 and 1 x 22 - TSD931-75 - (TSD1003-16 Shown)

**Valve Repair Kit = 5520-VALVEKIT**  
Includes 1 x 2, 3, 4, 9, 11, 12, 17, 19, 21, 22 - TSD931-75 - (TSD1003-16 Shown) and 2 x 10

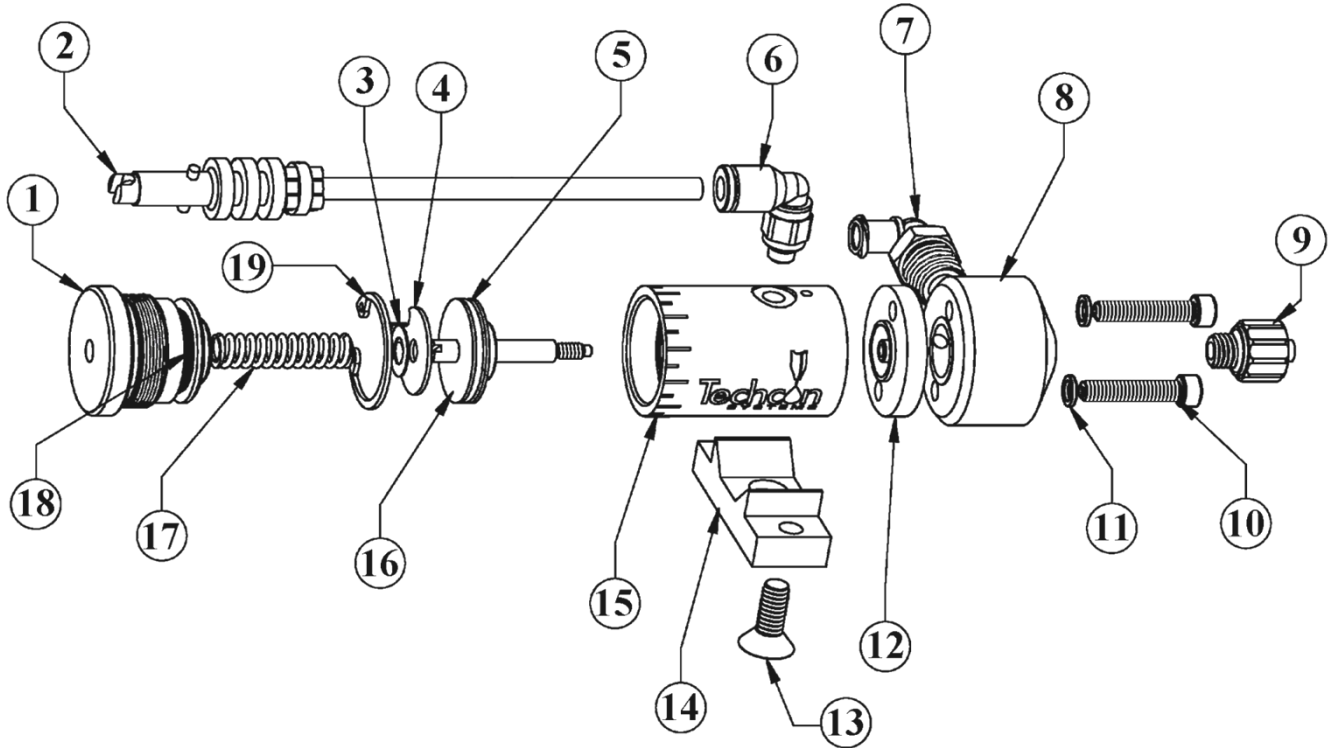
**U-Seal Insertion Tool = 5420-SIT**

**Nozzle Seat Tool = TSD1113-28**

**Lubrication:** All O-Rings & seals must be lubricated with Bimba HT-99, or equivalent, with the exception of TSD400-70, which must remain dry.

Item	Part Number	Description	Item	Part Number	Description
1	TSD1120-2	Retaining Ring, Small	12	5520-000-010	Needle/Piston Assembly
2	TSD1109-45	Nylon Washer	13	5520-000-001	Air Cylinder
3	TSD1400-006A	O-Ring, Buna	14	918-000-048	Mounting Bracket
4	TSD1400-013A	O-Ring, Buna	15	2800-0634	Mounting Screw
5	TSD1003-20	Air Fitting, 4mm, Elbow	16	5520-000-018	Spray Cone Cap
6	A0100478	Air Hose/Connector Assy, 4mm	17	5520-000-020	Nozzle, Inc. Seat
7	TSD1150-34	Spring	18	T1000598	Nozzle Seat
8	5520-000-007	End Cap	19	TSD1400-008A	Nozzle Adaptor O-Ring, Buna
9	TSD1120-15	Retaining Ring, Large	20	5520-000-002	Body
10	TSD1109-43	Mylar Washer	21	TSD400-70	U-Cup Seal
11	TSD1400-208A	Piston O-Ring, Buna	22	TSD1003-16	Compression Fitting

## TS5622 Series Vertical Diaphragm Valve



**Diaphragm Kit = 5620TFE-DKIT (TS5622VT) or 5620UHMW-DKIT (TS5622VD/TS5622VU)**

Includes 1 x 5, 12, 17 and 18

**Fluid Housing Kit = 5622VT-FHKIT (TS5622VT) or 5622VD-FHKIT (TS5622VD) or 5622VU-FHKIT (TS5622VU)**

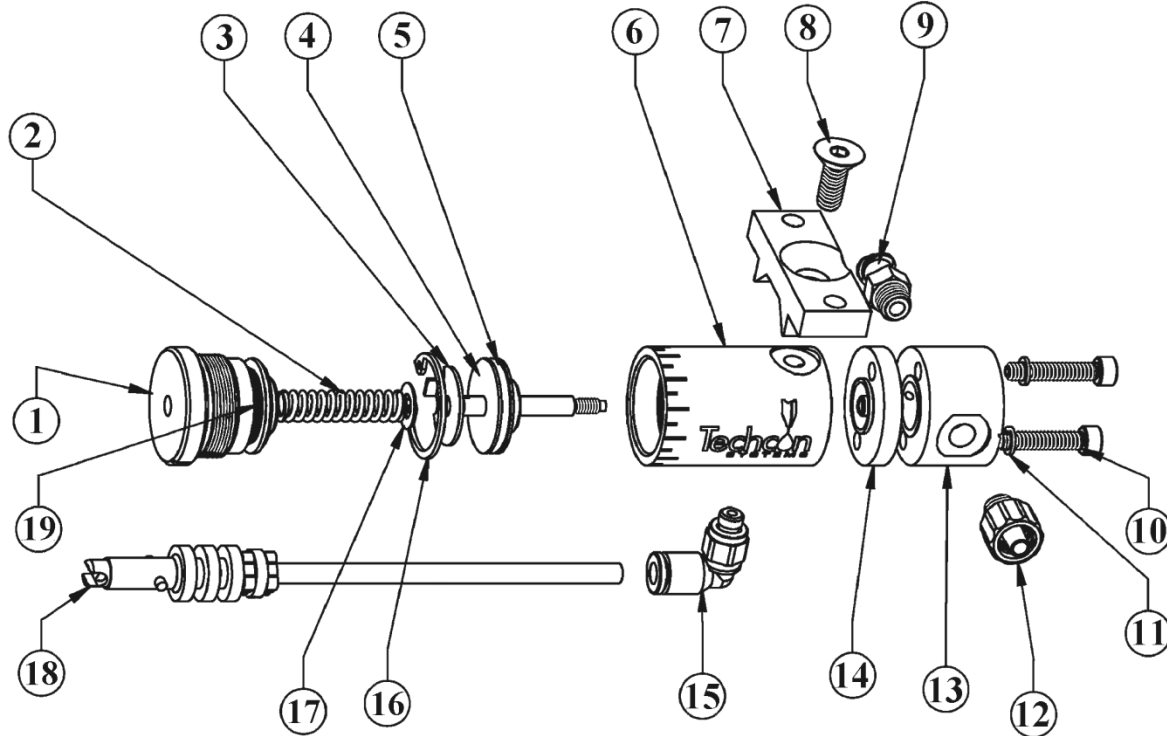
Includes 1 x 7, 8, 9, 2 x 10 and 2 x 11 (No washers required for TS5622VD)

**Lubrication:** All O-Rings & seals must be lubricated with Bimba HT-99, or equivalent, with the exception of the Diaphragm, which must remain dry.

**Body Mounting Screw Torque:** Acetal (Delrin®) requires 14 in lb (1.58 N-m), UHMW requires 7 in lb (0.79 N-m) and Teflon® requires 5 in lb (0.56 N-m).

Item	Part Number	Description	Item	Part Number	Description
1	5620-000-004	End Cap	10	TSD1103-336	Fluid Housing Screw
2	A0100478	Air Hose/Connector Assy, 4mm	11	TSD1109-53	Flat Washer
3	TSD1109-43	Mylar Washer	12	5620-000-011	Diaphragm for TS5622VT
4	5620-000-006	Anti-Rotate Washer	12*	5620-000-002	Diaphragm for VU/VD Type
5	TSD1400-016A	Piston O-Ring	13	TSD1106-13	Mounting Screw
6	TSD1003-20	Air Fitting, 4mm, Elbow	14	918-000-048	Mounting Bracket
7	TSD931-75	Luer Lock Adaptor, Elbow	15	5620-000-003	Air Cylinder
8	5622-000-003	Fluid Housing for TS5622VT	16	5620-000-005	Piston
8*	5622-000-001	Fluid Housing for TS5622VU	17	TSD1150-40	Spring
8*	5622D-000-001	Fluid Housing for TS5622VD	18	TSD1400-111A	End Cap O-Ring
9	TSD931-60	Tip Adaptor for TS5622VT/TS5622VU	19	TSD1120-11	Retaining Ring
9*	TSD931-91	Tip Adaptor for TS5622VD			

## TS5620 Series Horizontal Diaphragm Valve



**Diaphragm Kit = 5620TFE-DKIT (TS5620HT) or 5620UHMW-DKIT (TS5621VD/TS5620HU)**

Includes 1 x 2, 5, 14 and 19

**Fluid Housing Kit = 5620HT-FHKIT (TS5620HT) or 5621HD-FHKIT (TS5621HD) or 5620HU-FHKIT (TS5620HU)**

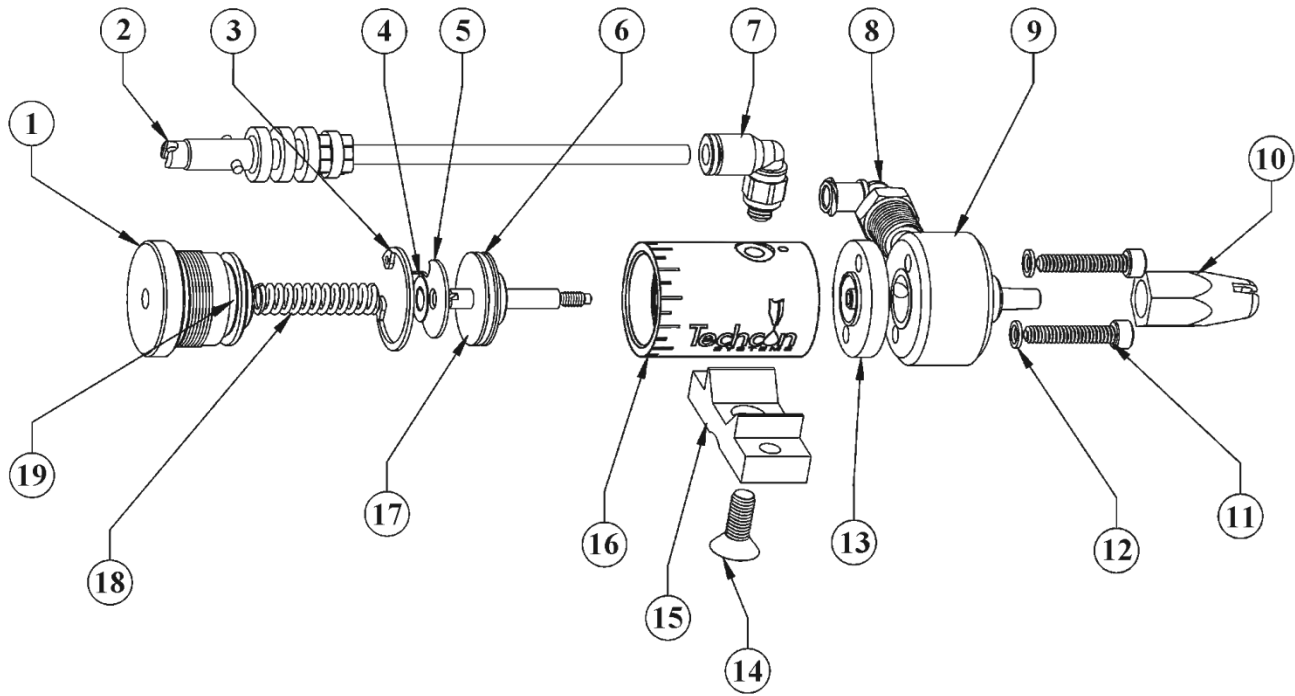
Includes 1 x 9, 12, 13, 2 x 10 and 2 x 11 (No washers required for TS5621HD)

**Lubrication:** All O-Rings & seals must be lubricated with Bimba HT-99, or equivalent, with the exception of the Diaphragm, which must remain dry.

**Body Mounting Screw Torque:** Acetal (Delrin®) requires 14 in lb (1.58 N-m), UHMW requires 7 in lb (0.79

Item	Part Number	Description	Item	Part Number	Description
1	5620-000-004	End Cap	12	TSD931-60	Tip Adaptor for HT/HU Option
2	TSD1150-40	Spring	12*	TSD931-57	Tip Adaptor for TS5621HD
3	5620-000-006	Anti-Rotate Washer	13	5620HT-000-001	Fluid Housing for TS5620HT
4	5620-000-005	Piston	13*	5620-000-001	Fluid Housing for TS5620HU
5	TSD1400-016A	Piston O-Ring	13*	5621-000-001	Fluid Housing for TS5621HD
6	5620-000-003	Air Cylinder	14	5620-000-011	Diaphragm for TS5620HT
7	918-000-048	Mounting Bracket	14*	5620-000-002	Diaphragm for HD/HU Option
8	TSD1106-13	Mounting Screw	15	TSD1003-20	Air Fitting, 4mm, Elbow
9	TSD931-58	Inlet Adaptor For HT/HU Versions	16	TSD1120-11	Retaining Ring
9*	TSD931-54	Inlet Adaptor For TS5621HD	17	TSD1109-43	Mylar Washer
10	TSD1103-336	Fluid Housing Screw	18	A0100478	Air Hose/Connector Assy, 4mm
11	TSD1109-53	Flat Washer	19	TSD1400-111A	End Cap O-Ring

## TS5622VU-DVD Vertical Diaphragm Valve



**Diaphragm Kit = 5620UHMW-DKIT**

Includes 1 x 6, 13, 18 and 19

**Fluid Housing Kit = 5622VU-DVD-FHKIT**

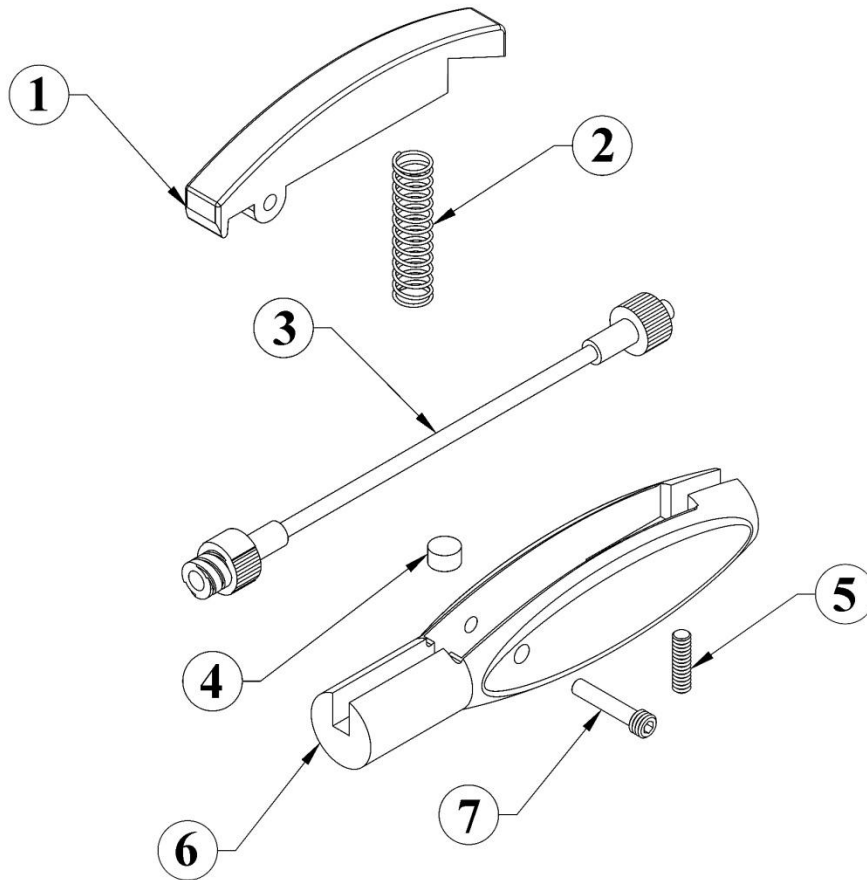
Includes 1 x 8, 9, 10, 2 x 11 and 2 x 12

**Lubrication:** All O-Rings & seals must be lubricated with Bimba HT-99, or equivalent, with the exception of the Diaphragm, which must remain dry.

**Body Mounting Screw Torque:** Stainless Steel requires 14 in lb (1.58 N-m).

Item	Part Number	Description	Item	Part Number	Description
1	5620-000-004	End Cap	11	TSD1103-336	Fluid Housing Screw
2	A0100478	Air Hose/Connector Assy, 4mm	12	TSD1109-53	Flat Washer
3	TSD1120-11	Retaining Ring	13	5620-000-002	Diaphragm
4	TSD1109-43	Mylar Washer	14	TSD1106-13	Mounting Screw
5	5620-000-006	Anti-Rotate Washer	15	918-000-048	Mounting Bracket
6	TSD1400-016A	Piston O-Ring	16	5620-000-003	Air Cylinder Assy
7	TSD1003-20	Air Fitting, 4mm, Elbow	17	5620-000-005	Piston
8	TSD931-75	Luer Lock Adaptor, Elbow	18	TSD1150-40	Spring
9	5620-000-012	Fluid Housing	19	TSD1400-111A	End Cap O-Ring
10	5440-000-004	Tip Cap, Full Block			

# TS1201 Pinch Tube Pen

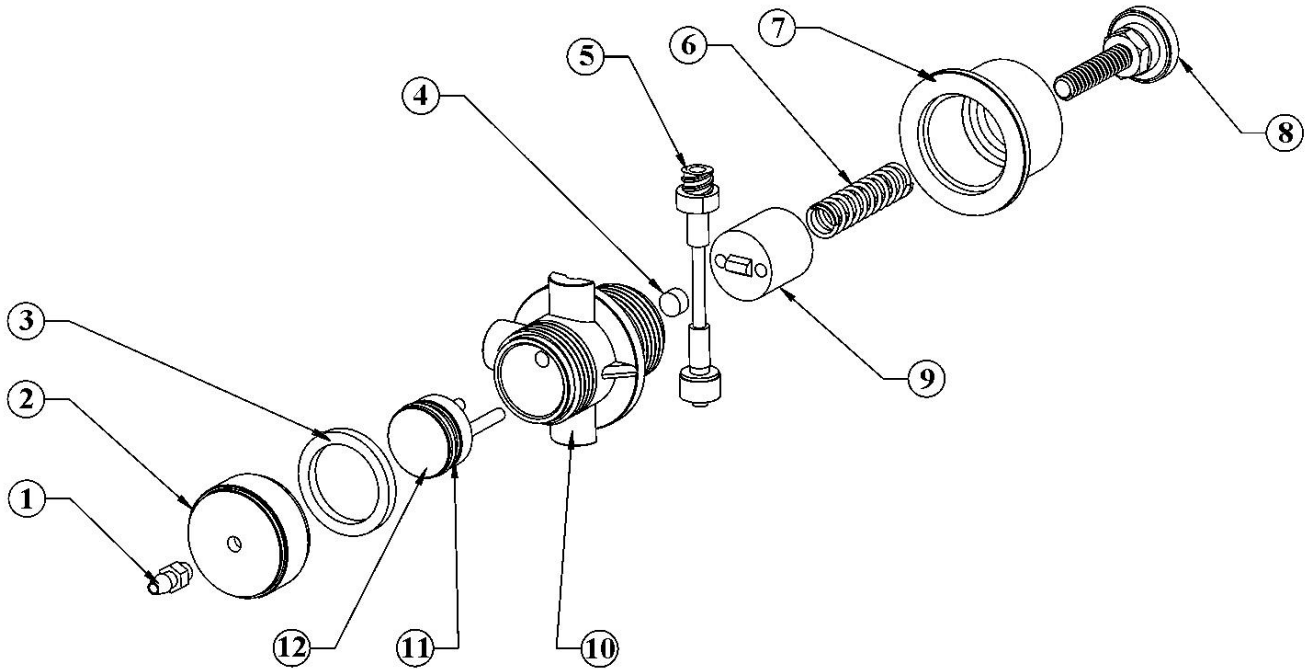


**Lubrication:** No lubrication required on valve.

Item	Part Number	Description	Item	Part Number	Description
1	1201-000-002	Trigger, Handle	5	TSD1123-15	Flow Adjustment Screw
2	TSD1150-7	Spring	6	1201-000-001	Body
3	SEE CHART	Pinch Tube	7	1201-000-003	Pin
4	1212-000-005	Pinch Cushion			

Item	Part Number	Description
3*	1201-000-004PK	Pinch Tube, Clear PE, Male to Female, 0.1" (2.54mm) ID
3*	1201-000-004BPK	Pinch Tube, Black PE, Male to Female, 0.1" (2.54mm) ID
3*	1201-000-006PK	Pinch Tube, Clear PE, Male to Female, 0.07" (1.78mm) ID
3*	1201-006-000PK	Pinch Tube, Clear PU, Male to Female, 0.125" (3.18mm) ID

## TS1212 Pinch Tube Valve

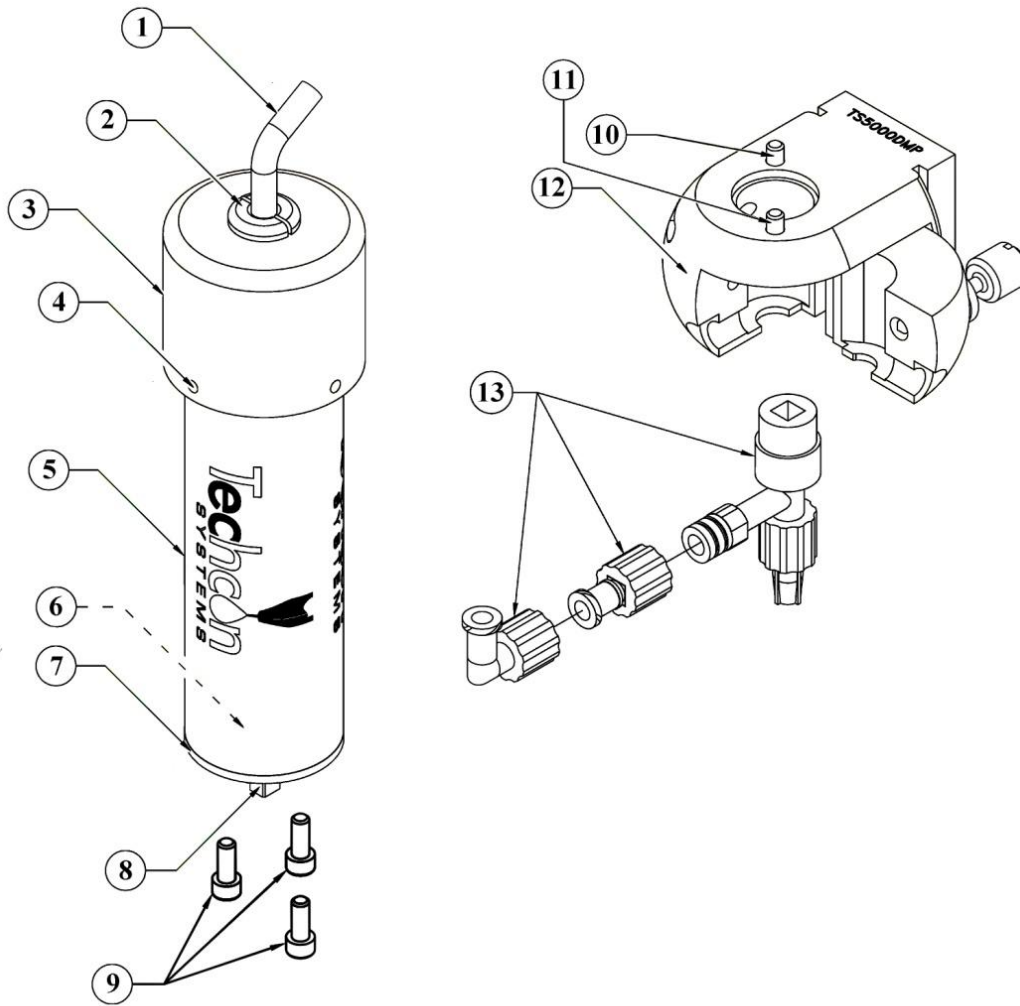


Item	Part Number	Description	Item	Part Number	Description
1	TSD922-19	Barb Fitting	7	1212-000-002	Flange
2	1212-000-003	Cylinder Cap	8	1212-002-000	Adjustment Knob Assy
3	1212-000-007	Gasket	9	1212-000-004	Shut Off Piston
4	1212-000-005	Pinch Cushion	10	1212-000-001	Body
5	SEE CHART	Pinch Tube	11	TSD1399-1	U-Cup Seal
6	3300-0336	Spring	12	1212-003-000	Piston Assembly

**Lubrication:** All O-Rings & seals must be lubricated with Bimba HT-99, or equivalent.

Item	Part Number	Description
5*	1212-004-002PK	Pinch Tube, Clear PE, Male to Female, 0.1" (2.54mm) ID
5*	1212-004-002BPK	Pinch Tube, Black PE, Male to Female, 0.1" (2.54mm) ID
5*	1212-004-000PK	Pinch Tube, Clear PE, Male to Female, 0.07" (1.78mm) ID
5*	1212-004-100PK	Pinch Tube, Clear PU, Male to Female, 0.125" (3.18mm) ID
5*	1212-004-100BPK	Pinch Tube, Black PU, Male to Female, 0.125" (3.18mm) ID

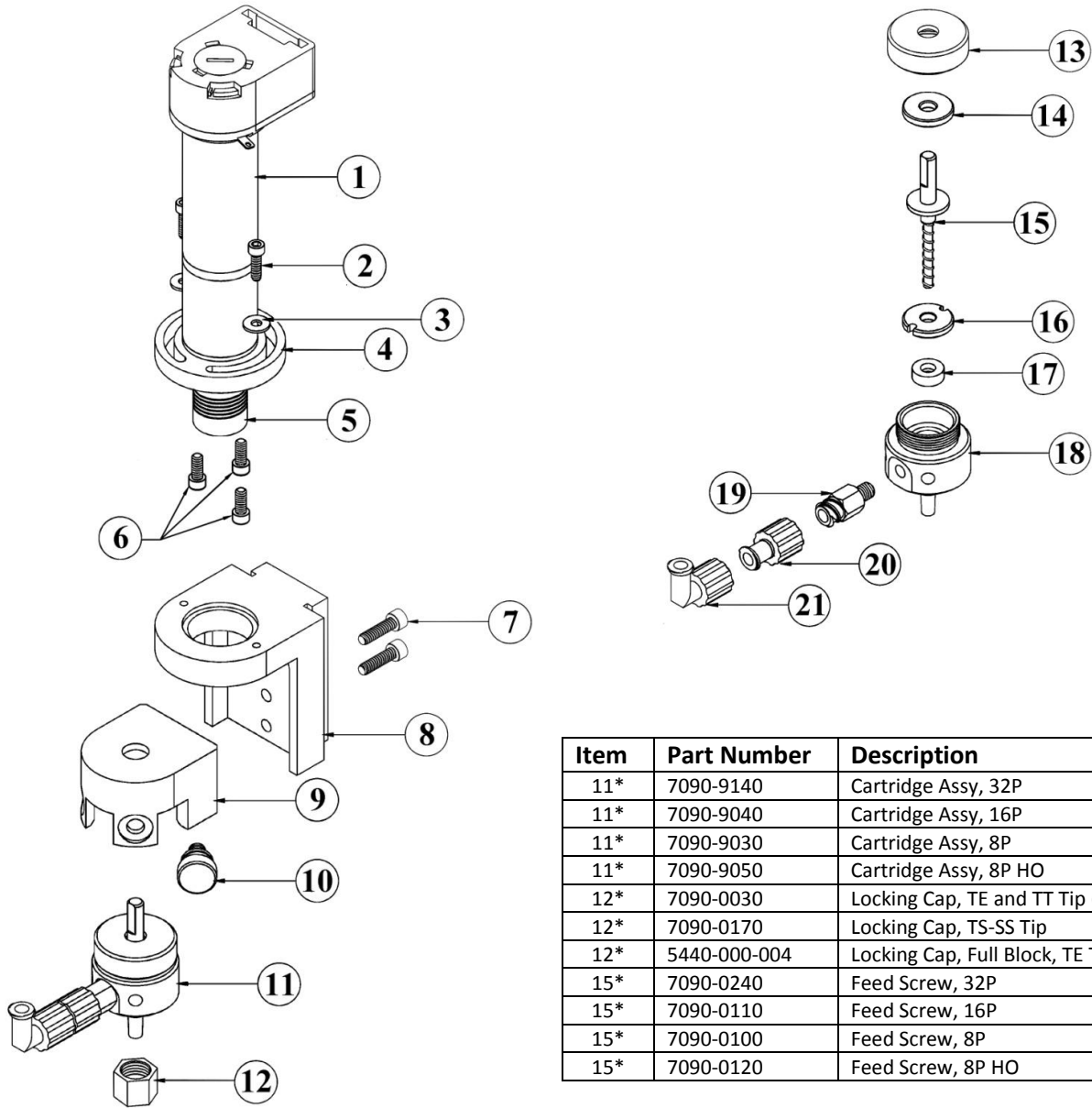
## TS5000DMP Series Rotary Valve



**Lubrication:** The Viton® feed path o-ring is lubricated with Parker -O-Lube.

Item	Part Number	Description	Item	Part Number	Description
1	TSD1415-12	Cable	11	TSD1103-10	Body Screw, Short
2	TSD1401-7	Bushing	12	A0100167	Body For TS5000DMP
3	5000-000-171	Sleeve Cap	12*	A0100184	Body For TS5000DMPL
4	TSD1103-334	Cap Screw	13	DMP6-10	6 Pitch DMP Assy, Fixed Red Collar
5	5000-000-346	Motor Sleeve	13*	DMP6R-10	6 Pitch DMP Assy, Rotating Red Collar
6	TSD1412-22	Motor	13*	DMP8-10	8 Pitch DMP Assy, Fixed Black Collar
7	T1000295	Motor Mounting Plate	13*	DMP8R-10	8 Pitch DMP Assy, Rotating Black Collar
8	2200-000-011	Square Drive	13*	DMP16-10	16 Pitch DMP Assy, Fixed Blue Collar
9	TSD1103-330	Mounting Plate Screw	13*	DMP16R-10	16 Pitch DMP Assy, Rotating Blue Collar
10	TSD1103-14	Body Screw, Long			

# TS7000IMP Series Rotary Valve



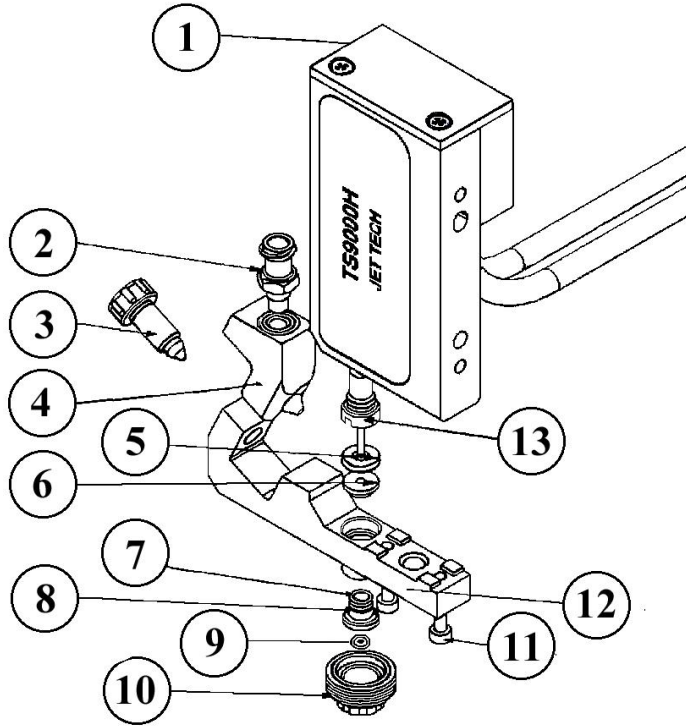
Item	Part Number	Description
11*	7090-9140	Cartridge Assy, 32P
11*	7090-9040	Cartridge Assy, 16P
11*	7090-9030	Cartridge Assy, 8P
11*	7090-9050	Cartridge Assy, 8P HO
12*	7090-0030	Locking Cap, TE and TT Tip (STD)
12*	7090-0170	Locking Cap, TS-SS Tip
12*	5440-000-004	Locking Cap, Full Block, TE Tip
15*	7090-0240	Feed Screw, 32P
15*	7090-0110	Feed Screw, 16P
15*	7090-0100	Feed Screw, 8P
15*	7090-0120	Feed Screw, 8P HO

**Lubrication:** No lubrication required on valve but conditioning cream (7105XCON = 10cc, 7305XCON = 30cc or TS60C-CON = 177cc) should be used, after repair, to prime the valve before production use.

Item	Part Number	Description	Item	Part Number	Description
1	TSD1412-22	Motor, 6W, No Encoder	12	SEE CHART	Tip Cap
1*	TSD1412-31	Motor 6W, With Encoder	13	7090-0090	Cover
2	2800-0423	Mounting Plate Screw	14	7090-0130	Top Thrust Washer
3	TSD1109-1	Mounting Plate Washer	15	SEE CHART	Feed Screw
4	7090-0060	Motor Mounting Plate	16	7090-0140	Bottom Thrust Washer
5	7090-0050	Coupling	17	3300-0353	U-Cup Seal
6	TSD1103-330	Mounting Plate Screw	18	7090-0070	Cartridge Body, 32P, 16P and 8P STD
7	2800-0213	Main Housing Screw	18*	7090-0080	Cartridge Body, 8P High Output
8	7090-0010	Main Housing	19	TSD931-63	Luer Lock Adaptor, Stainless Steel
9	7090-0020	Cartridge Housing	20	TSD931-82	Luer Lock Adaptor, Nylon
10	7090-0040	Thumb Screw	21	TSD931-81	Luer Lock Elbow Adaptor, Nylon
11	SEE CHART	Cartridge Assy			



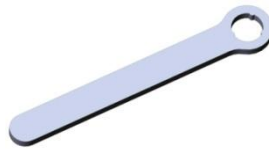
# TS9000 Series Jet Tech Valve



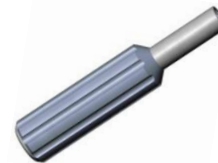
**Nozzle Tool**  
7504-0110



**Universal Tool**  
7504-0500



**Nozzle Change Tool**  
7504-0100



**Tappet Tool**  
7504-0360



**Squeezing Out Tool**  
7504-0120

Item	Part Number	Description
13*	7504-0150-1	Tappet, 0.40mm
13*	7504-0150-2	Tappet, 0.50mm
13*	7504-0150-3	Tappet, 0.60mm
13*	7504-0150-4	Tappet, 0.70mm
13*	7504-0150-5	Tappet, 1.00mm
13*	7504-0150-6	Tappet, 1.50mm

Item	Part Number	Description
9*	7504-0160-1	Nozzle Insert, 0.07mmØ
9*	7504-0160-2	Nozzle Insert, 0.10mmØ
9*	7504-0160-3	Nozzle Insert, 0.12mmØ
9*	7504-0160-4	Nozzle Insert, 0.15mmØ
9*	7504-0160-5	Nozzle Insert, 0.20mmØ
9*	7504-0160-6	Nozzle Insert, 0.30mmØ
9*	7504-0160-7	Nozzle Insert, 0.40mmØ

Item	Part Number	Description	Item	Part Number	Description
1	TS9000H	Electronic/Sensor System	8	7504-0530	Tappet Guidance O-Ring
2	7504-0250	Luer Lock Adaptor	9*	See Chart	Nozzle Insert
3	7504-0200	Tightening Screw	10	7504-0410	Nozzle Adjustment Nut
4	7504-0190	Syringe Base/Mount	11	7504-0230	Fluid Body Set Screws (2 per pack)
5	7504-0210	Tapper Centering Piece	12	7504-0180	Fluid Body
6	7504-0220	Tappet Sealing	13*	See Chart	Tappet
7	7504-0370	Tappet Guidance	N/A	9000-CLEANKIT	Kit of Brushes, Sticks and Cleaners